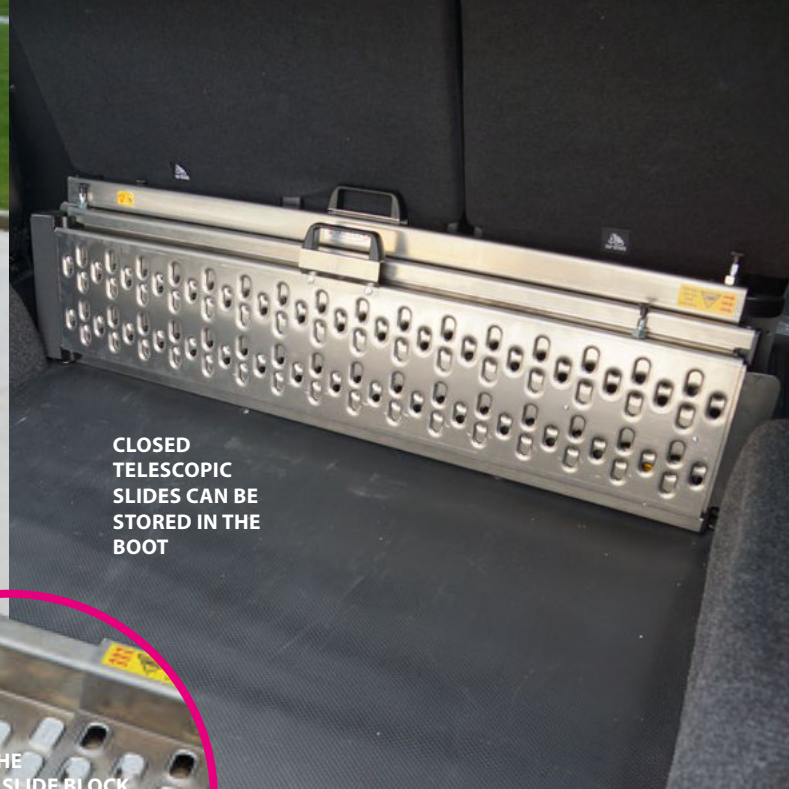


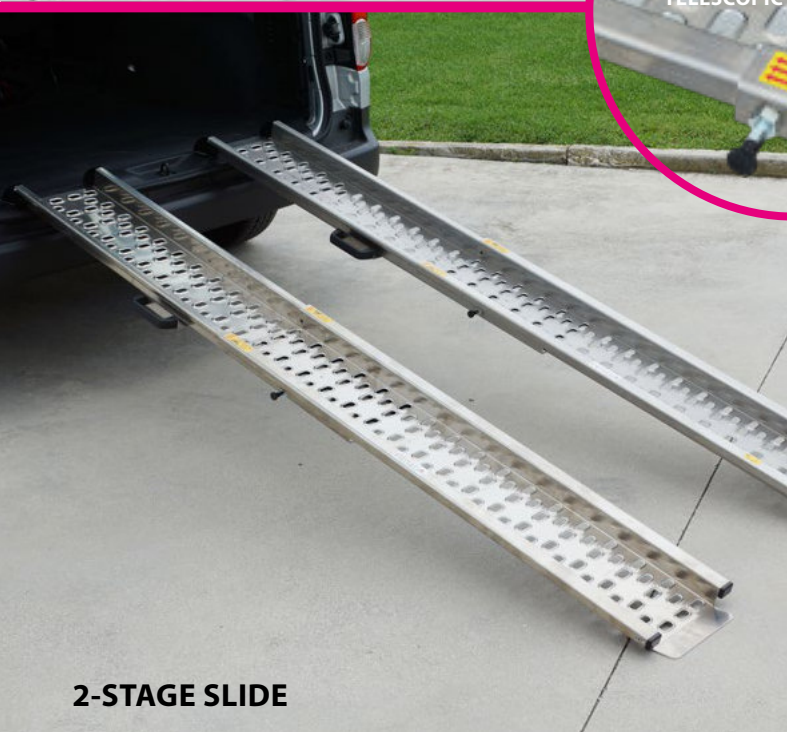
3-STAGE SLIDE



CLOSED TELESCOPIC SLIDES CAN BE STORED IN THE BOOT



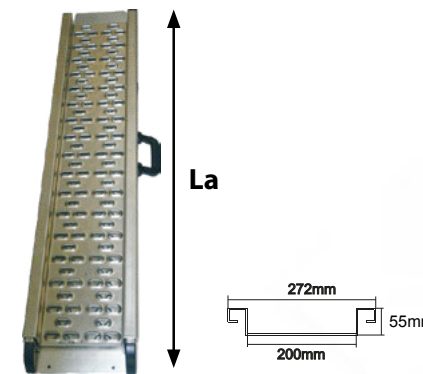
DETAIL OF THE TELESCOPIC SLIDE BLOCK



2-STAGE SLIDE

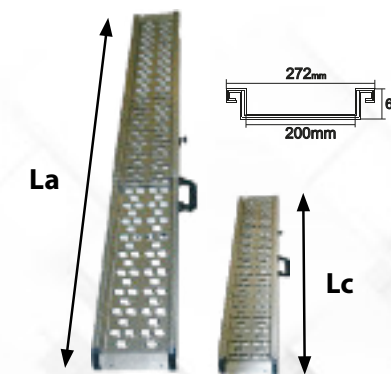


DETAIL OF THE SLIDE HOOK AVAILABLE ON REQUEST



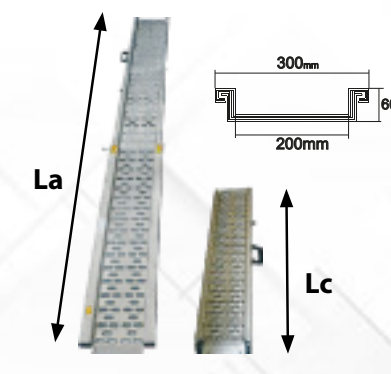
PAIR OF RAMPS 1 STAGE	La	WEIGHT (KG)
RF20-50	500	1,5 each
RF20-100	1000	2,5 each
RF20-125	1250	3 each
RF20-150	1500	4 each
RF20-200	2000	5 each

Load capacity: 300 KG per pair



PAIR OF 2-STAGE TELESCOPIC RAMPS	La	Lc	WEIGHT (KG)
RT20-100	1000	685	4 each
RT20-150	1500	960	6,5 each
RT20-200	2100	1310	9 each
RT20-250	2500	1510	10,8 each
RT20-300	3000	1760	13 each

Load capacity: 300 KG per pair



PAIR OF 3-STAGE TELESCOPIC RAMPS	La	Lc	WEIGHT (KG)
RT20-200-R3	2150	1000	9,5 each
RT20-250-R3	2570	1160	11 each
RT20-300-R3	3200	1370	13,2 each

Load capacity: 200 KG per pair

REMOVABLE SLIDES FOR VEHICLES

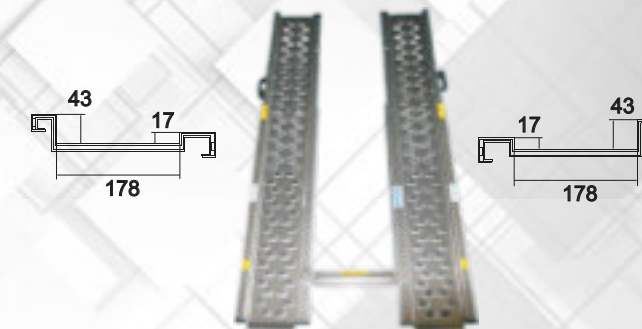
The removable slides are transport aids available in different lengths and types and suitable for use both on vehicles and in the civil sector for overcoming architectural barriers. They can also be used to allow the loading and unloading of trolleys and mobile equipment. They are available in the following versions: FIXED, TELESCOPIC and TELESCOPIC WITH LOWERED INTERNAL EDGE for some types of electric scooters

RESISTANCE AND LIGHTNESS

The distinctive and exclusive element of the removable ramps is the punching of the contact surface that generates an exceptional grip (grip) against water, snow and mud. Materials Aluminum sheet with mechanical bending process to guarantee structure strength and reduce weight to a minimum. End profiles and handles in impact-resistant plastic.

MATERIALS

Aluminum sheet with mechanical bending process to guarantee structure strength and reduce weight to a minimum. End profiles and handles in impact-resistant plastic.



PAIR OF TELESCOPIC RAMPS LOWERED INNER EDGE	La	Lc	WEIGHT (KG)	N. of stages
RBT02-170	1690	1000	6 each	2 stages
RBT02-200	1970	1150	8,5 each	2 stages
RBT03-200	1980	875	9 each	3 stages

Load capacity: 120 KG per pair